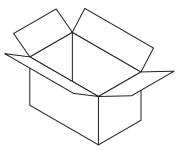
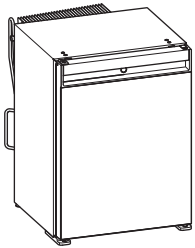


MODELS

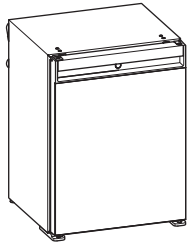


A30/A40

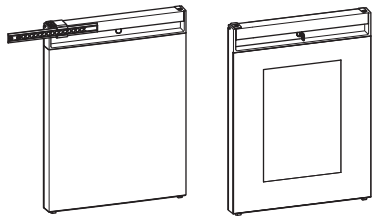
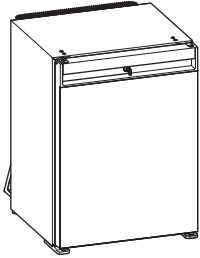


Type	A30/40	N30/40	C40
S	●	●	●
P	●	●	●
G	●	●	●
R	●	●	●
L	●	●	●
Alpha (1)	●	●	●
Evolution (2)	●	●	●
R134A	—	—	—
R600A	—	—	—
NH <sub>3</sub>	●	—	—

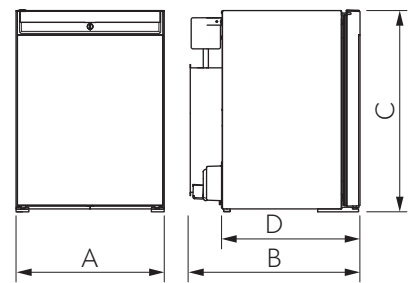
N30/A40



C40

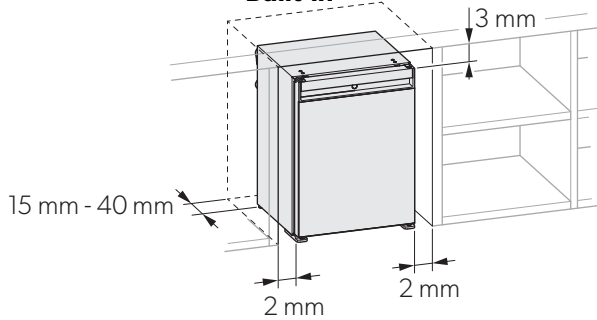


DIMENSIONS

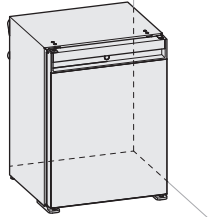


	A	B	C	D
A30	384 mm	446 mm	520 mm	356 mm
N30	384 mm	415 mm	520 mm	356 mm
A40	405 mm	466 mm	550 mm	376 mm
N40	405 mm	435 mm	550 mm	376 mm
C40	405 mm	481 mm	550 mm	376 mm

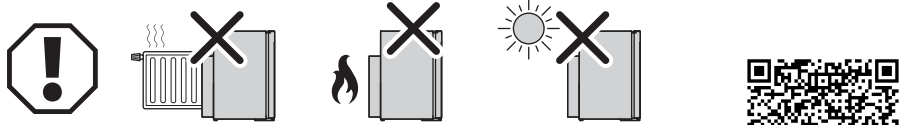
Built-in



Freestanding

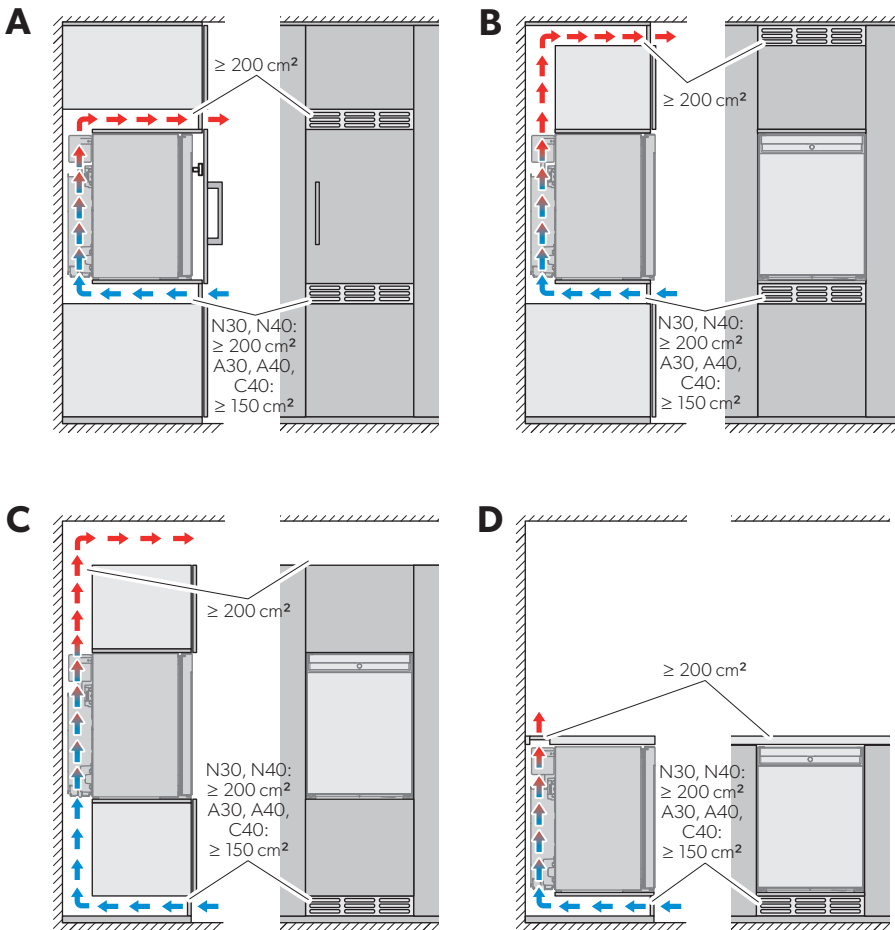


AIR FLOW

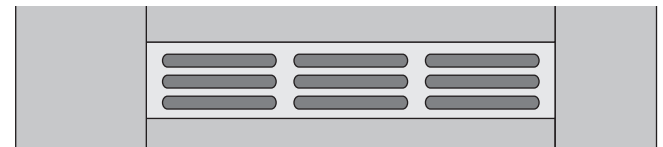
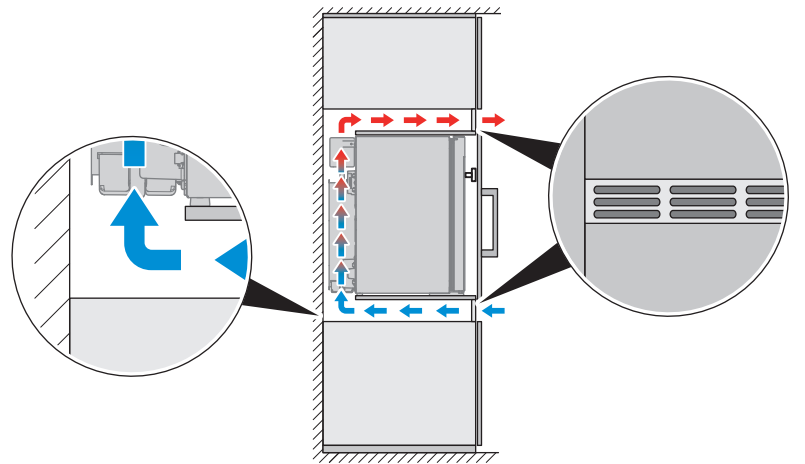
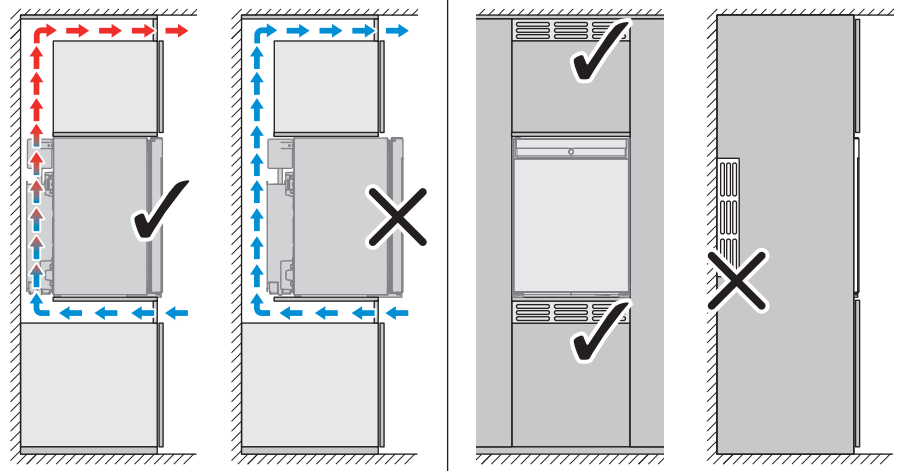


Scan this QR code to watch a video about the impact of air flow.  
<https://dreambroker.com/channel/zrzpj1zj/w4v0sx10>

Insufficient air flow results in a shortened lifespan and a reduced cooling performance. Observe the minimum spacings when installing the minibar to furniture.

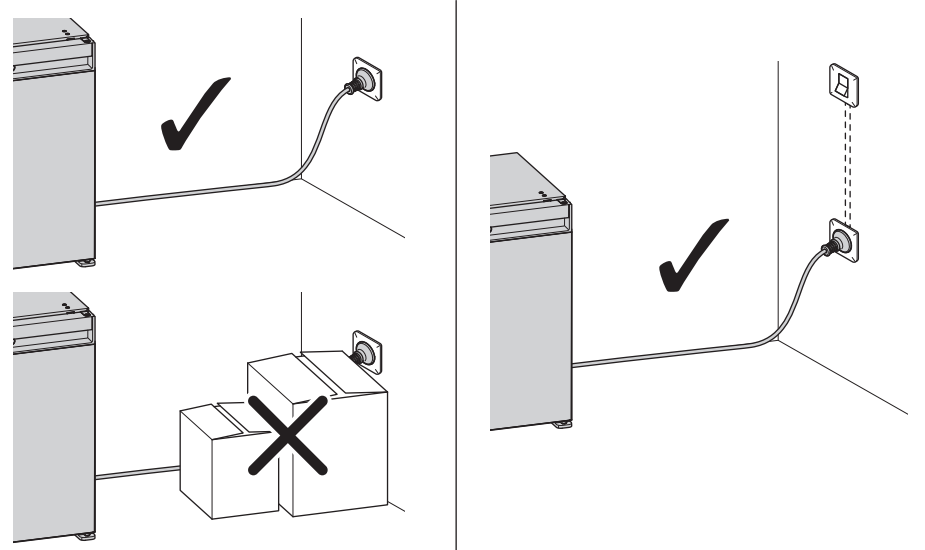
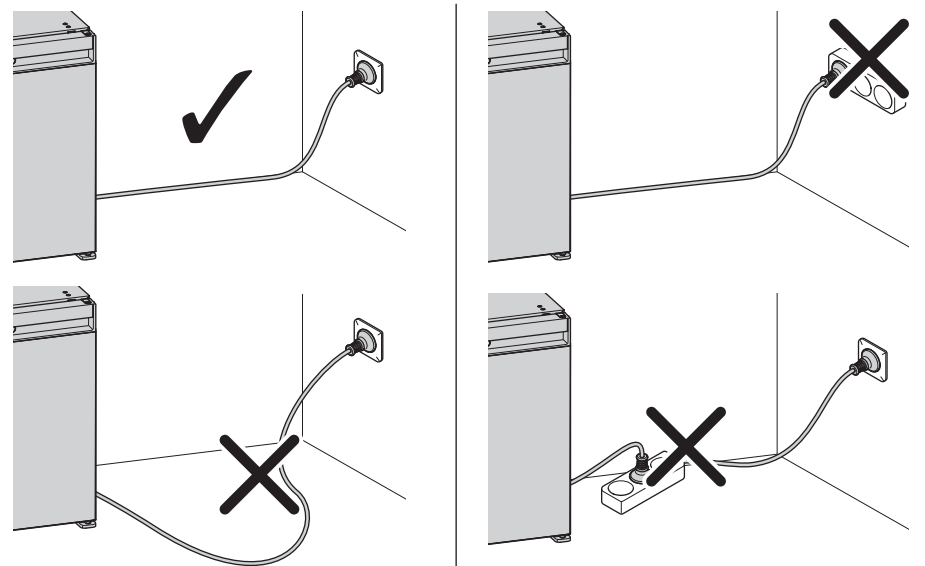
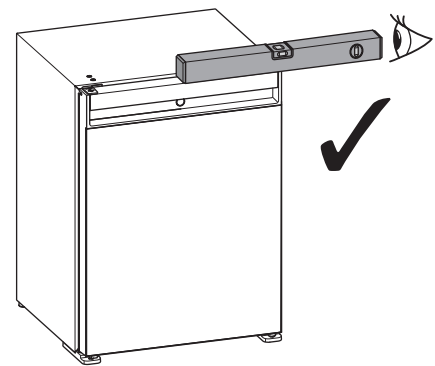


AIR FLOW

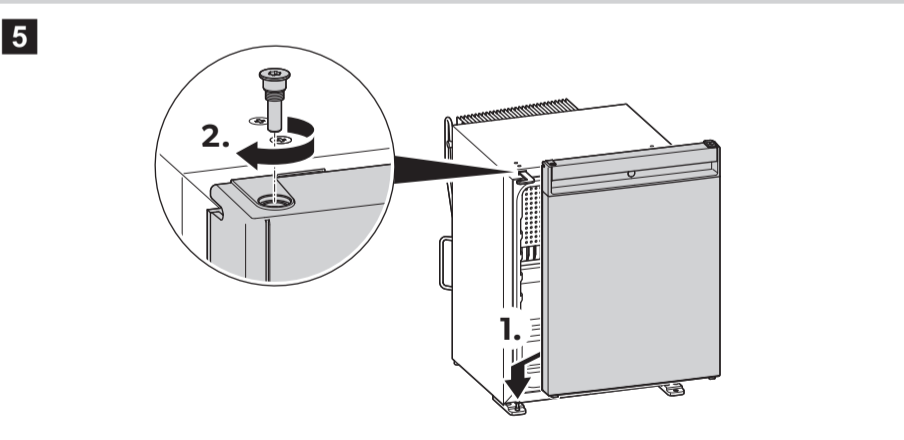
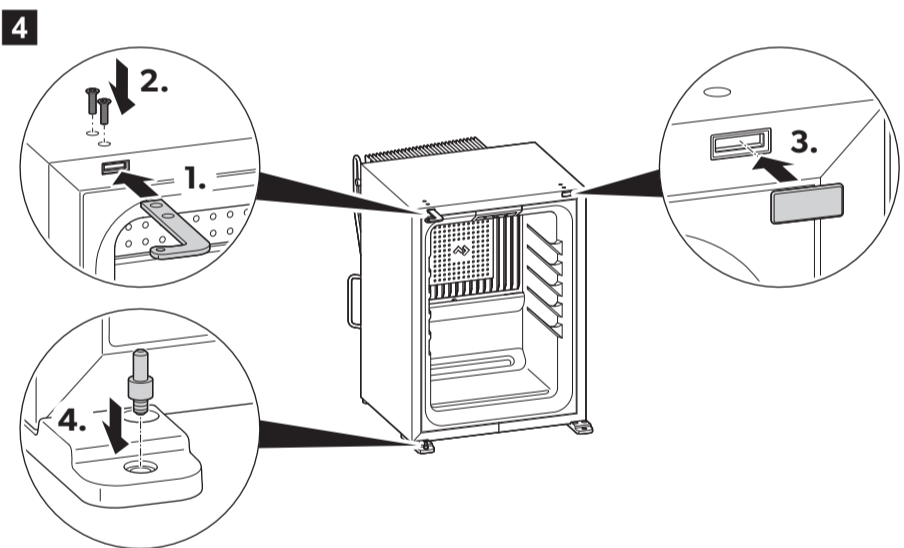
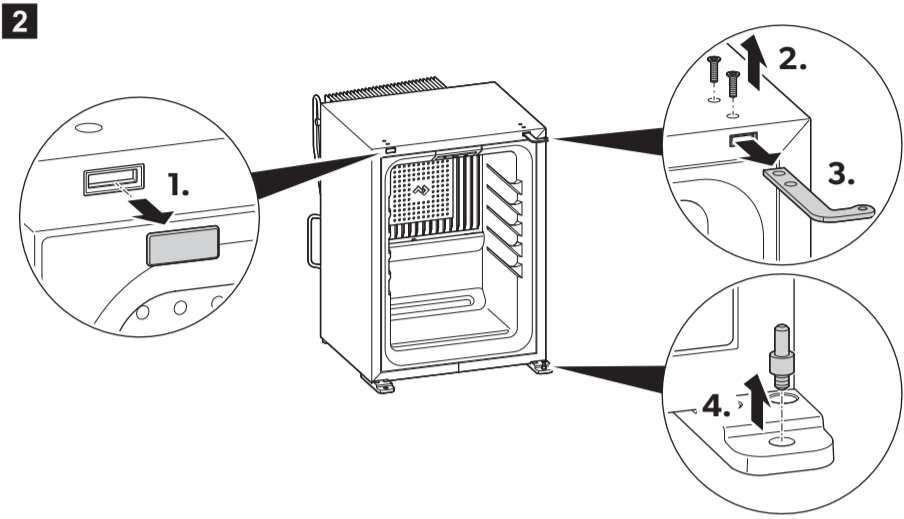
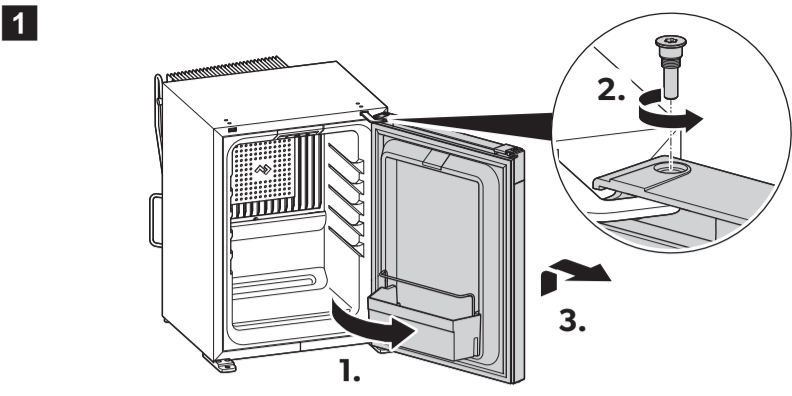


	Air inlet	Air outlet
N30, N40	≥ 200 cm <sup>2</sup>	≥ 200 cm <sup>2</sup>
A30, A40, C40	≥ 150 cm <sup>2</sup>	≥ 200 cm <sup>2</sup>

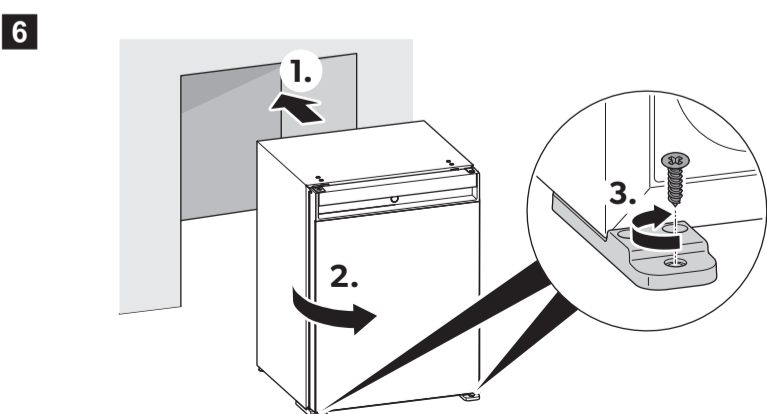
INSTALLATION NOTES



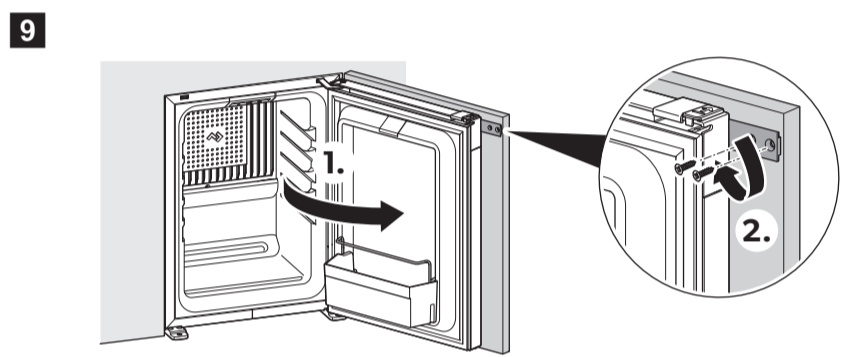
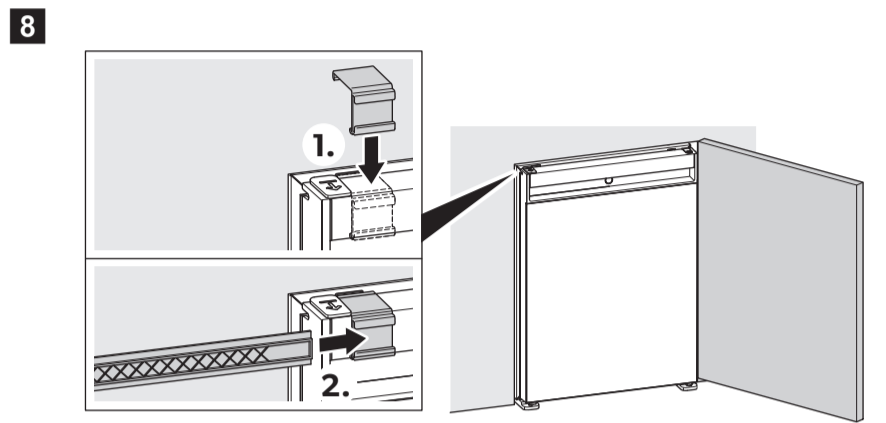
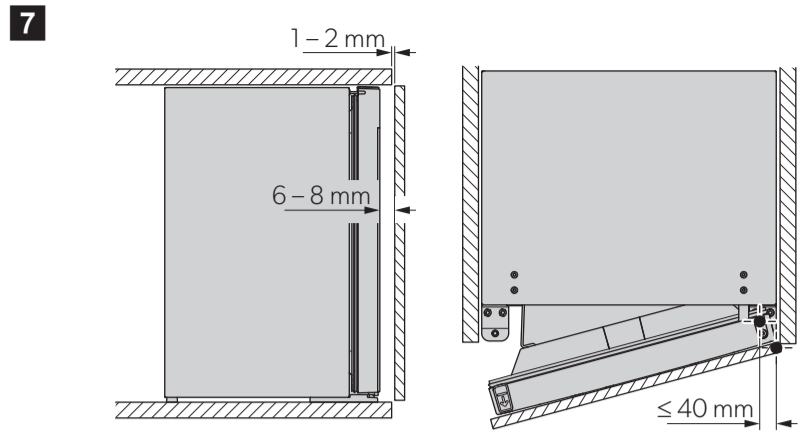
REVERSING DOOR



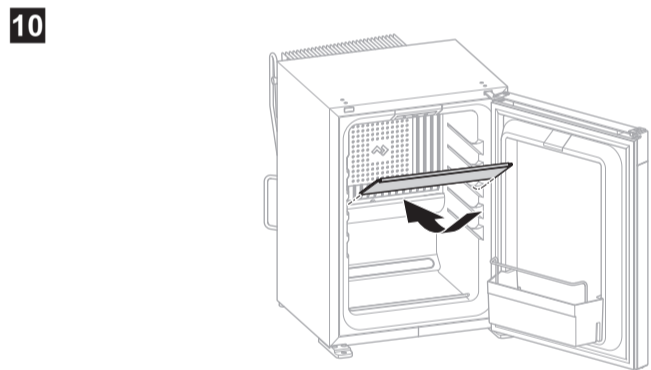
FIXING



SLIDING HINGE



SHELVES



DOOR LOCK

